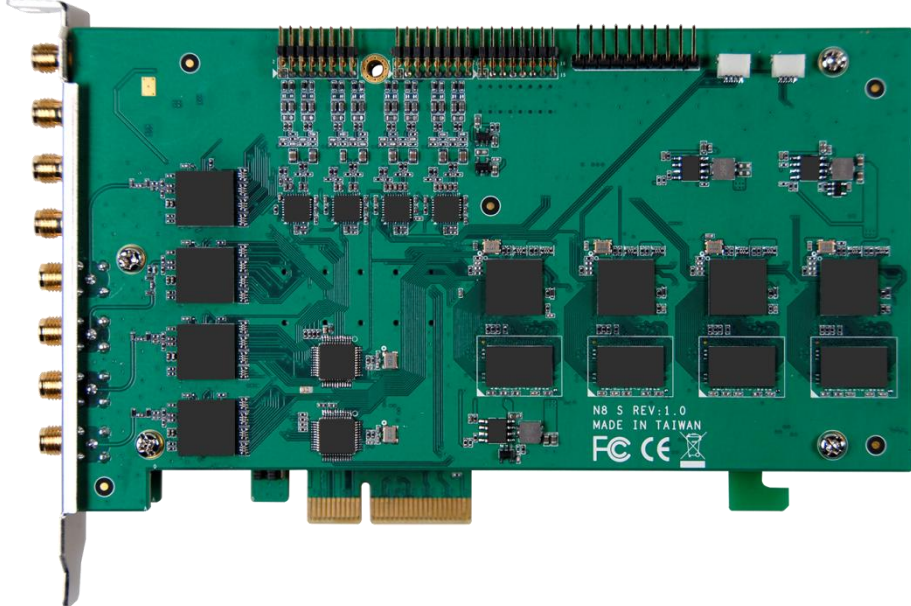


SC5A0 Product Series Hardware Specification	
Model	SC5A0 N8 SDI
Max. FPS	1920x1080p@60/50fps in → 1920x1080p@30/25fps out
Recording Mode	Hardware Compression, Real-Time Mode
Product photo	
Dimension	167.65 x 101.03(mm) PCIe full height
Interface	PCIe x4 (Gen2)
Video Input	8 x SDI
Video RAW Data Format	YV12,NV12,YUY2,RGB24,RGB32
Video RAW Data Resolution	<u>HD-SDI</u> 1920x1080p@30/25/24fps 1920x1080i@60/50fps 1280x720p@60/50fps <u>SD-SDI</u> 720x480i@60fps 720x576i@50fps
Recording Video Format	H.264 (Hardware Compression)
Recording Video Resolution	<u>HD-SDI</u> 1920x1080p@30/25/24fps 1920x1080i@60/50fps 1280x720p@60/50fps <u>SD-SDI</u> 720x480i@60fps 720x576i@50fps
Audio Input	8 x SDI Embedded audio
Audio Format	Stereo / 16-bit / 32000 ~ 48000Hz
I/O	16
Multiple Cards	∞
SDK	VC++ / C# / .NET / VB / V4L2
System Requirement	
OS Support	Windows XP / Vista / Windows 7 Windows 8 / Windows 8.1/ Windows 10 Linux 2.6.14 or Higher (32-bit and 64-bit)